



Plastic panel instrument case with/without 19" plug-in system • 446

Plastic panel instrument case with 19" plug-in system in compliance with IEC 297-3

- plastic model
- installation dimensions in compliance with IEC 297-3
- for installing Europe cards

Material:

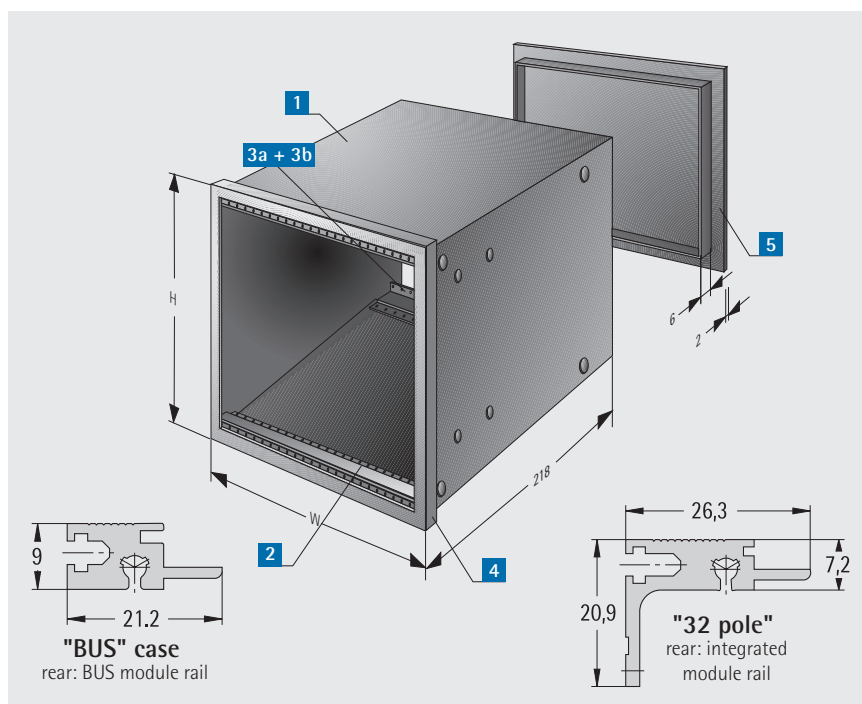
Case: plastic, black

Included in delivery

Item	Pc.	Description
1	1	Panel instrument case made of Noryl SE1 GFN2, with mounting pins on the sides/top and bottom
2	2	front: integrated module rails with threaded strips M2.5 in 5.08mm increments
3a	2	rear: module rails acc. to order 1. module rails, integrated 32 pole DIN 41612
3b	2	2. module rails "BUS" model, with threaded strips M2.5
4	1	Front frame
5	1	Rear panel, plug-in
6	4	Card guides (not shown)



Specifications: plastic panel instrument case with 19" plug-in system



Plastic panel instrument case without guide grooves

- Case: a single piece without guide grooves, with two mounting pins pressed into each side for fixing clamps.

Material:

Plastic front frame, black, plastic rear panel

Delivery:

incl. front frame and rear panel

Order information

Case size WxH mm	HP	case "32 pole"	case "BUS"	case without guide grooves	Panel cut-outs WxH	Panel (Al 1.5 anodized)	Filter screen, 3mm thick, red	Transparent door with lock	Transparent door with sash fastener
72 x 144	12	446-102	446-106	446-101	68 x 138	445-271	44-5272-09	44-6100-01	44-6100-02
96 x 144	16	446-152	446-156	446-151	92 x 138	445-331	44-5332-09	44-6150-01	44-6150-02
144 x 144	26	446-052	446-056	446-051	138 x 138	445-371	44-5372-09	44-6050-01	44-6050-02
192 x 144	35	446-122	446-126	446-121	186 x 138	445-391	44-5392-09	44-6120-01	44-6120-02
288 x 144	54	446-132	446-136	446-131	282 x 138	445-491	44-5492-09	44-6130-01	44-6130-02



443 • Steel panel instrument case with/without 19" plug-in system



Picture shows panel instrument case with 19" plug-in system

Steel panel instrument case with 19" plug-in system

- in compliance with IEC 61554
- with 19" plug-in system in compliance with IEC 297-3
- for Europe cards and modules
100 x 160mm and 100 x 220mm

Material: Front frame, rear panel: plastic

Finish:

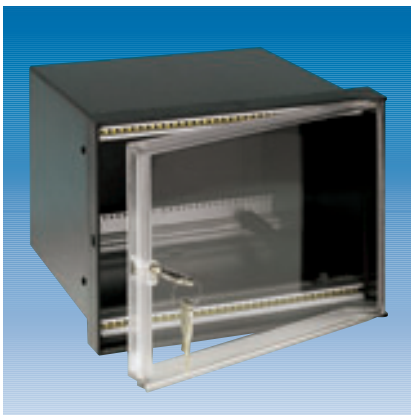
Sheet steel case: RAL 9005 deep black (other colours available upon request for orders starting at 100 pieces)

Front frame: black

- attachable from front
- can also be glued on (should not be removed once attached)

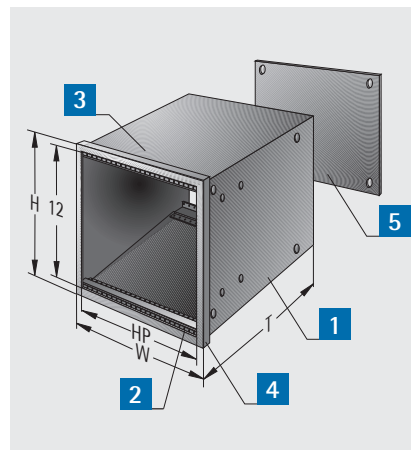
Degree of protection: from the front IP 42 in compliance with DIN 40050

Steel DIN enclosure with fixed transparent door



- An apra-norm 446 transparent door is permanently attached to the case. It is glued on from the back with sealing material that ensures the case and door are securely sealed against the panel.

Specifications



Included in delivery

Item	Pc.	Description
1	1	Case with side mounting pins
2	2	front: integrated module rail with threaded strips M2.5 in 5.08mm increments
3	2	rear: integrated module rail with threaded strips M2.5 for plug-in connections (32/64 pole) in compliance with DIN 41612
4	1	Front frame
5	1	Rear panel with 4 screws
6	2	Card guides (not shown)

Case size W x H mm	HP	Case with 19" plug-in system without door		Case with 19" plug-in system with door		Case without module rails (plastic front frame and rear panel included in delivery)		Panel cut-outs mm
		D = 200mm	D = 260mm	D = 200mm	D = 260mm	D = 200mm	D = 260mm	
48 x 144	7	443-241	443-247	-	-	443-741	443-747	42 x 138
72 x 144	12	443-101	443-107	443-402	443-408	443-601	443-607	66 x 138
96 x 144	16	443-151	443-157	443-452	443-458	443-651	443-657	90 x 138
144 x 144	26	443-051	443-057	443-352	443-358	443-551	443-557	138 x 138
192 x 144	35	443-121	443-127	443-422	443-428	443-621	443-627	186 x 138
288 x 144	54	443-131	443-137	443-432	443-438	443-631	443-637	282 x 138



Panel instrument case with/without 19" plug-in system • 443

Accessories

Shape C DIN 43835



- approx. 185mm long

Part no.
443-001

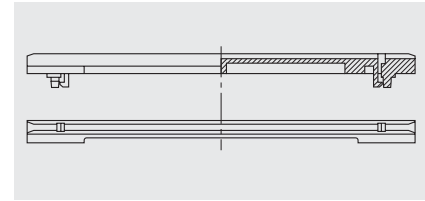
Heavy-duty fixing clamps



- approx. 190mm long
- M5 threaded rod with pressure piece

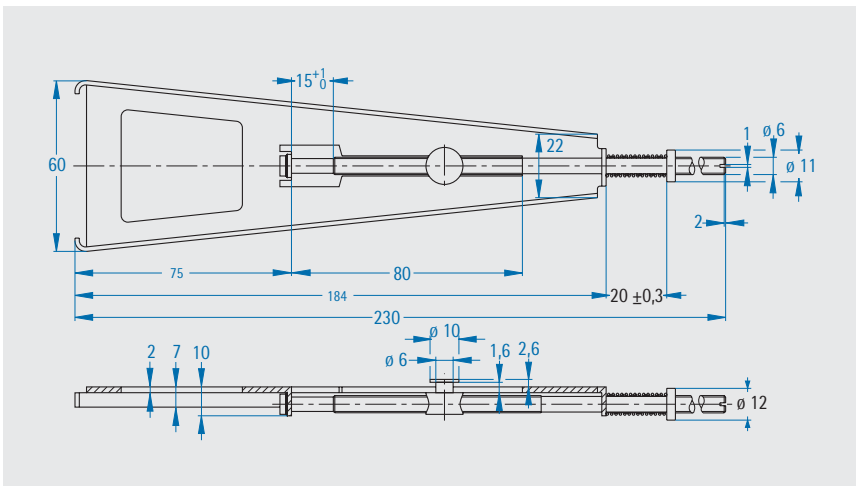
Part no.
443-002

Card guide



Part no.
240-401

Mounting element as per DIN 43834



- for heavy plug-in units, etc.

Note:

An additional $\varnothing 12$ mm hole on the cases is required for this!

Part no.
443-003

Front panels

Finish: anodized

Material: aluminium, 2.5mm

HP	Width mm	Part no.
7	35.2	24-3307-00
12	60.6	24-3312-00
16	80.8	24-3316-00
26	131.7	24-3326-00
35	177.5	24-3335-00
54	274.0	24-3354-00